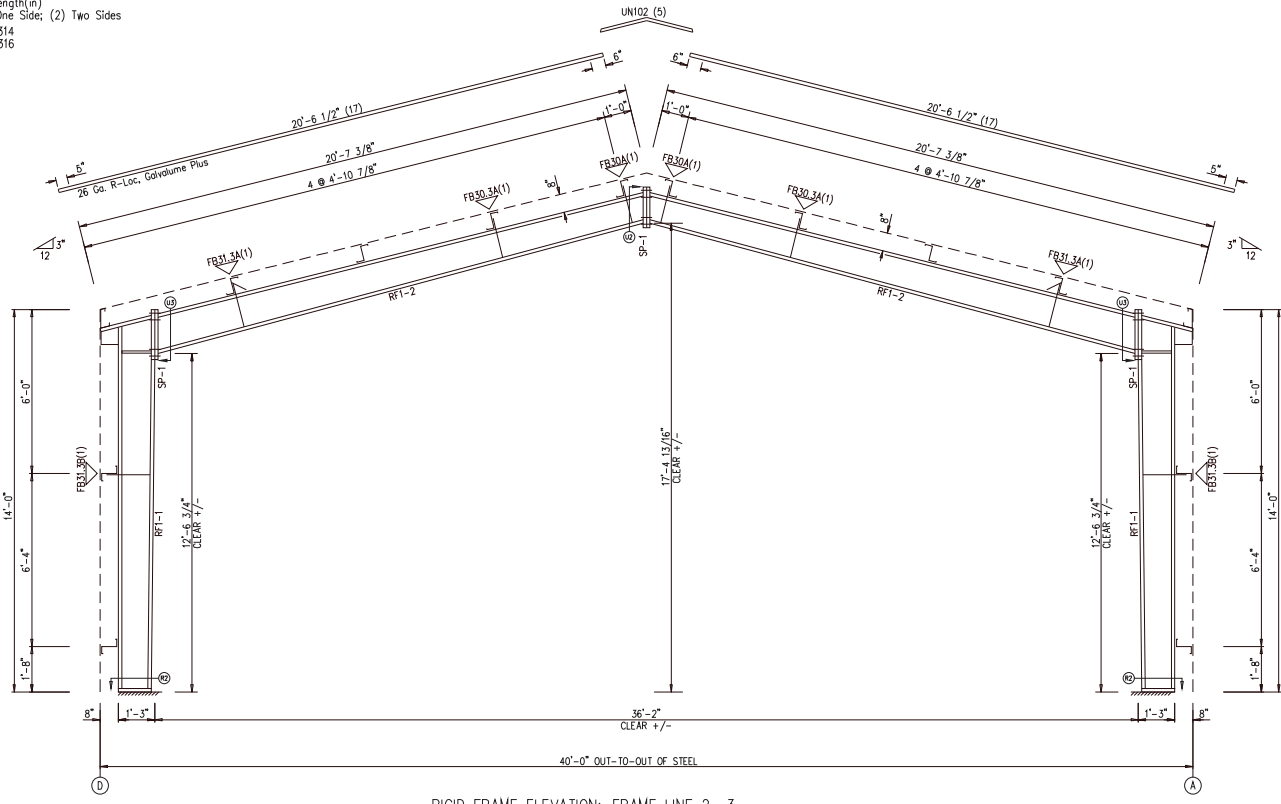


SPlice BOLT TABLE						
Mark	Qty		Int	Type	Dia	Length
	Top	Bot				
SP-1	4	4	0	A325	0.625	2.00

MEMBER TABLE								
Mark	Web Depth		Web Plate		Outside Flange		Inside Flange	
	Start	End	Thick	Length	W x Thk x Length	W x Thk x Length	W x Thk x Length	
RF1-1	11.5/14.4		0.135	11'-11 13/16"	5 x 1/4" x 13'-5"	5 x 1/4" x 12'-2 7/8"		
RF1-2	14.4/14.5		0.188	1'-8 7/8"	5 x 1/4" x 1'-11 3/8"	5 x 1/4" x 18'-7 3/8"		
RF1-2	14.0/10.0		0.135	18'-9 7/8"	5 x 1/4" x 18'-6 5/16"	5 x 1/4" x 18'-7 3/8"		

FLANGE BRACES: FBxx (1 or 2)
 xx=length(in)
 (1) One Side; (2) Two Sides
 B - B314
 A - B316



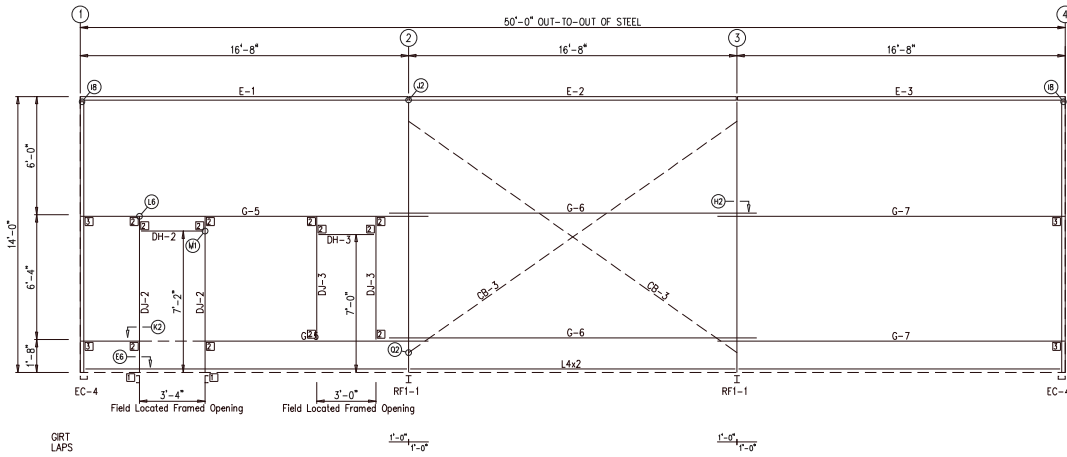
RIGID FRAME ELEVATION: FRAME LINE 2 3

NOTE:
 MINOR FIELD WORK OF STRUCTURAL, SECONDARY AND PANEL/TRIM ITEMS MAY BE NECESSARY TO ENSURE PROPER FIT. SUCH WORK IS CONSIDERED A NORMAL PART OF METAL BUILDING ERECTION. A.S.C. WILL NOT HONOR BACKCHARGES FOR MINOR FIELD WORK.

ISSUE	DESCRIPTION	DATE	DRN.	CHK.	DES.
P	PERMIT	09/08/19	CAF	PD	MZ



DESCRIPTION	RIGID FRAME ELEVATION
CUSTOMER	ANTON BARRAK/LEGACY HOLDINGS COMPANY LLC
END USER	ANTON BARRAKYIN
SCALE	NOT TO SCALE
DATE	09/28/19
REV	4 OF 12

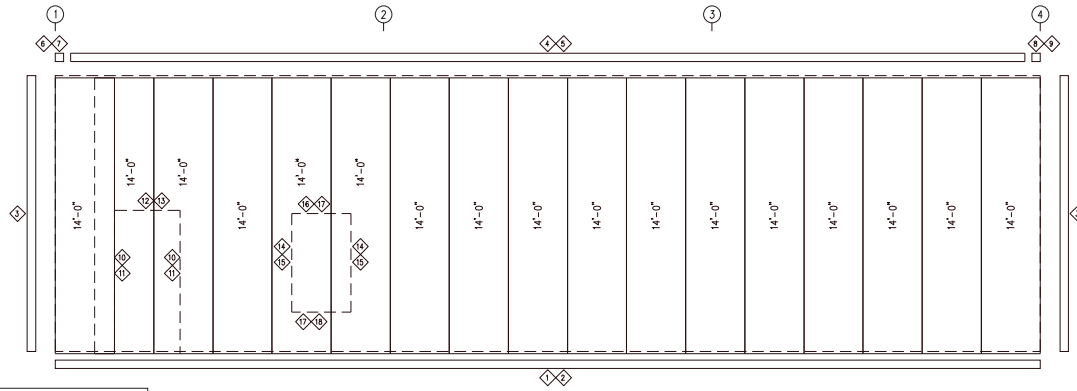


FRONT SIDEWALL FRAMING: FRAME LINE A

TRIM TABLE				
FRAME LINE A				
QID	QUAN	PART	LENGTH	DETAIL
1	1	BA102	10'-2"	TRIM_1
2	2	BA204	20'-4"	TRIM_1
3	2	OU142	14'-2"	TRIM_30
4	1	Q772162	16'-2"	TRIM_61
5	2	Q772182	18'-2"	TRIM_61
6	1	Q773L	6"	
7	1	AR961L	7' 7/16"	TRIM_60
8	1	Q773R	6"	
9	1	AR961R	7' 7/16"	TRIM_60
10	2	Q370102	10'-2"	TRIM_50
11	2	JA102	10'-2"	TRIM_50
12	1	AR380037	3'-7"	TRIM_51
13	1	HE063	6'-3"	TRIM_51
14	2	Q370057	5'-7"	TRIM_60
15	2	JA072	7'-2"	TRIM_50
16	1	AR380037	3'-7"	TRIM_51
17	2	HE036	3'-6"	TRIM_51
18	1	Q370037	3'-7"	TRIM_51

MEMBER TABLE				
FRAME LINE A				
QUAN	MARK	PART	LENGTH	
2	DJ-2	8X25C16	7'-8"	
2	DJ-3	8X25C16	5'-8"	
1	DH-2	8X25C16	3'-3"	
1	DH-3	8X25C16	2'-11"	
1	E-1	08166DU3	16'-7"	
1	E-2	08166DU3	16'-7"	
1	E-3	08166DU3	16'-7"	
2	G-5	8X25Z16	17'-7 1/2"	
2	G-6	8X25Z16	18'-8"	
2	G-7	8X25Z16	17'-7 1/2"	
2	CB-3	G31716	21'-1"	

CONNECTION PLATES				
FRAME LINE A				
QID	QUAN	MARK/PART		
1	2	BC-05		
2	12	BC-01		
3	4	BC-07		



FRONT SIDEWALL SHEETING & TRIM: FRAME LINE A

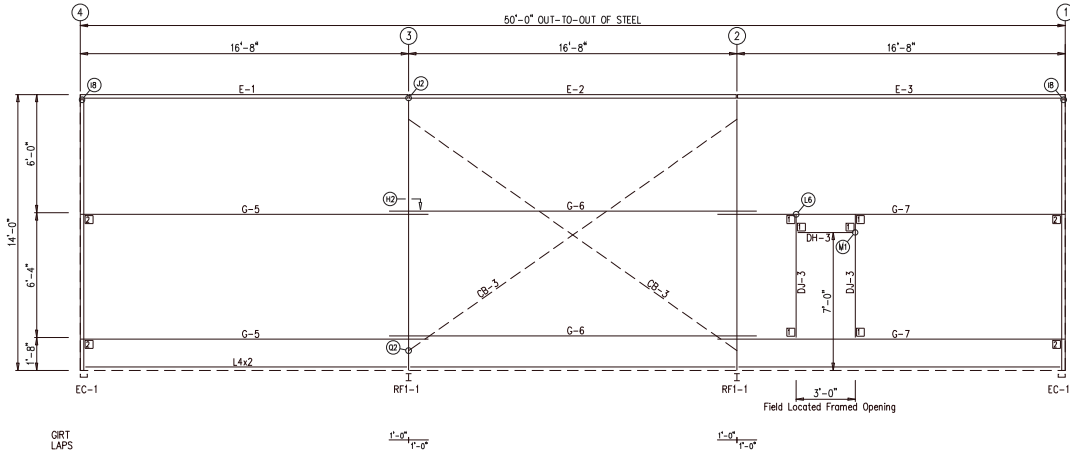
PANELS: 26 Ga. R-Loc - Gray 40 yr

NOTE:
MINOR FIELD WORK OF STRUCTURAL, SECONDARY AND PANEL/TRIM ITEMS MAY BE NECESSARY TO ENSURE PROPER FIT. SUCH WORK IS CONSIDERED A NORMAL PART OF METAL BUILDING ERECTION. A.S.C. WILL NOT HONOR BACKCHARGES FOR MINOR FIELD WORK.

ISSUE	DESCRIPTION	DATE	DRN.	CHK.	DES.
P	PERMIT	09/08/19	CAF	PD	MZ



DESCRIPTION: SIDEWALL FRAMING & SHEETING
 CUSTOMER: ANTON BARAR'YK/LEGACY HOLDINGS COMPANY LLC
 END USER: ANTON BARAR'YKIN
 SCALE: NOT TO SCALE
 SHEET NO: 56185
 DATE: 09/28/2019
 SHEET: 5 OF 12

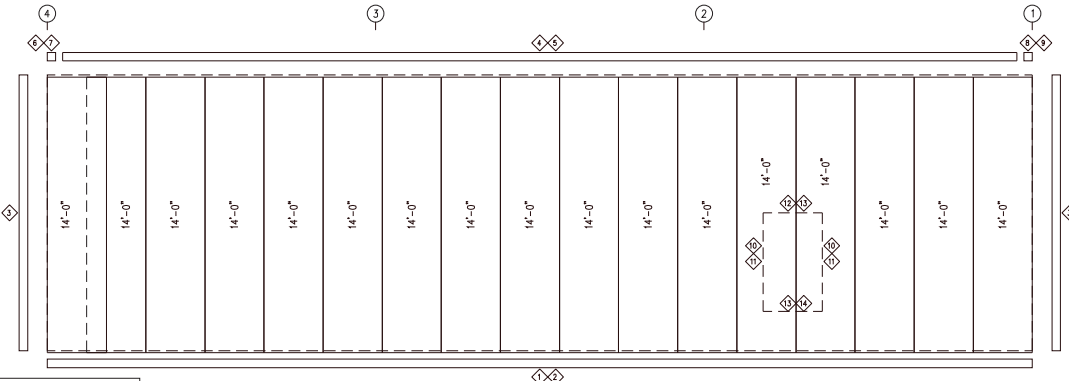


BACK SIDEWALL FRAMING: FRAME LINE D

TRIM TABLE			
FRAME LINE D			
QID	QUAN	PART	LENGTH
1	1	BA102	10'-2"
2	2	BA204	20'-4"
3	2	OJ142	14'-2"
4	1	Q772162	16'-2"
5	2	Q772182	18'-2"
6	1	Q773L	6"
7	1	AR961L	7' 7/16"
8	1	Q773R	6"
9	1	AR961R	7' 7/16"
10	2	Q370057	5'-7"
11	2	JA072	7'-2"
12	1	AR380037	3'-7"
13	2	HE036	3'-6"
14	1	Q370037	3'-7"

MEMBER TABLE			
FRAME LINE D			
QUAN	MARK	PART	LENGTH
2	DJ-3	8X25C16	5'-8"
1	DH-3	8X25C16	2'-11"
1	E-1	08166DU3	16'-7"
1	E-2	08166DU3	16'-7"
1	E-3	08166DU3	16'-7"
2	G-5	8X25Z16	17'-7 1/2"
2	G-6	8X25Z16	18'-8"
2	G-7	8X25Z16	17'-7 1/2"
2	CB-3	GS1716	21'-1"

CONNECTION PLATES		
FRAME LINE D		
QID	QUAN	MARK/PART
1	6	BC-01
2	4	BC-07



BACK SIDEWALL SHEETING & TRIM: FRAME LINE D
PANELS: 26 Ga. R-Loc - Gray 40 yr

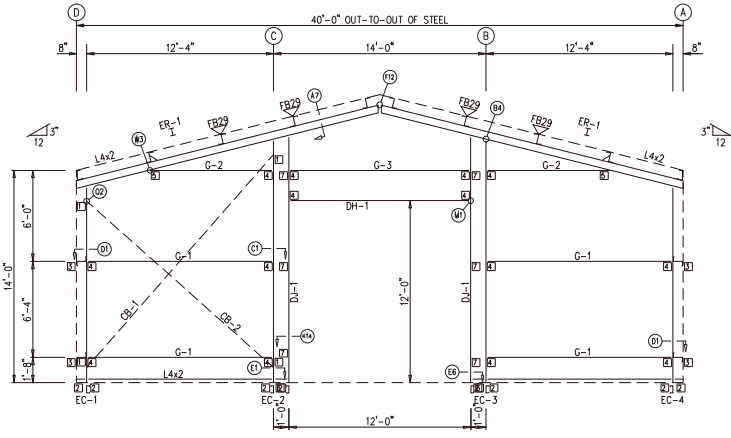
NOTE:
MINOR FIELD WORK OF STRUCTURAL, SECONDARY AND PANEL/TRIM ITEMS MAY BE NECESSARY TO ENSURE PROPER FIT. SUCH WORK IS CONSIDERED A NORMAL PART OF METAL BUILDING ERECTION. A.S.C. WILL NOT HONOR BACKCHARGES FOR MINOR FIELD WORK.

ISSUE	DESCRIPTION	DATE	DRN.	CHK.	DES.
P	PERMIT	09/06/19	CAF	PD	MZ

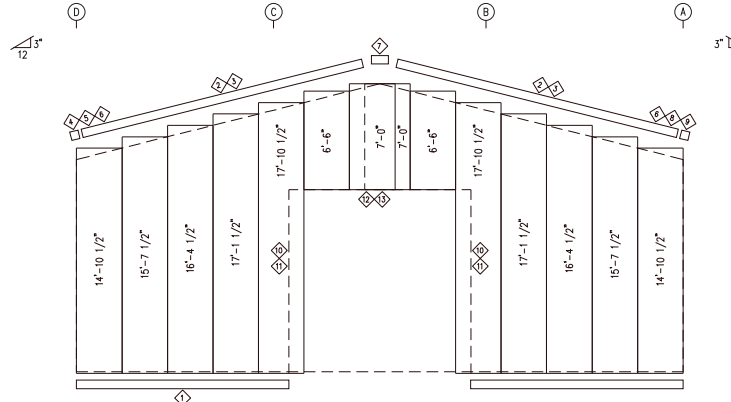


DESCRIPTION: SIDEWALL FRAMING & SHEETING	
CUSTOMER	ANTON BARRAR/KIN/LEGACY HOLDINGS COMPANY LLC
END USER	ANTON BARRAR/KIN
SCALE	NOT TO SCALE
DATE	09/28/19
REV	6 OF 12

56185



LEFT ENDWALL FRAMING: FRAME LINE 1



LEFT ENDWALL SHEETING & TRIM: FRAME LINE 1
PANELS: 26 Ga. R-Loc - Gray 40 yr

TRIM TABLE				
FRAME LINE 1				
QID	QUAN	PART	LENGTH	DETAIL
1	2	BA204	20'-4"	TRIM_1
2	2	Q764102	10'-2"	TRIM_66
3	2	Q764122	12'-2"	TRIM_66
4	1	Q765L	6"	
5	1	AR963L	9 1/8"	
6	2	AR962	8 1/16"	
7	1	Q767	1'-4"	TRIM_100
8	1	Q765R	6"	
9	1	AR963R	9 1/8"	
10	2	Q370142	14'-2"	TRIM_50
11	2	JA122	12'-2"	TRIM_50
12	1	Q370122	12'-2"	TRIM_51
13	1	HE123	12'-3"	TRIM_51

BOLT TABLE				
FRAME LINE 1				
LOCATION	QUAN	TYPE	DIA	LENGTH
ER-1/ER-1	8	A325	5/8"	1 1/2"
Columns/Raf	4	A325	1/2"	1 1/4"
Jamb	2	A325	1/2"	1 1/4"

MEMBER TABLE				
FRAME LINE 1				
QID	QUAN	MARK	PART	LENGTH
1	1	EC-1	8X25C16	12'-7 5/8"
1	1	EC-2	8X25C12	15'-8 5/8"
1	1	EC-3	8X25C12	15'-8 5/8"
1	1	EC-4	8X25C16	12'-7 5/8"
2	2	ER-1	W8X10	20'-6 7/8"
2	2	DJ-1	8X25C16	15'-11 5/8"
1	1	DH-1	8X25C16	11'-11"
4	4	G-1	8X25Z16	11'-8"
2	2	G-2	8X25Z16	6'-10 1/2"
1	1	G-3	8X25Z16	11'-11"
1	1	CB-1	CS1716	18'-11 1/4"
1	1	CB-2	GS1716	16'-9 1/2"

FLANGE BRACE TABLE				
FRAME LINE 1				
QID	QUAN	MARK	LENGTH	
1	4	FB29	2'-5"	

CONNECTION PLATES				
FRAME LINE 1				
QID	QUAN	MARK	PART	
1	4	BC-50		
2	8	BC-04		
3	4	BC-07		
4	20	BC-01		
5	2	b2		
6	2	BC-.05		
7	6	b3		

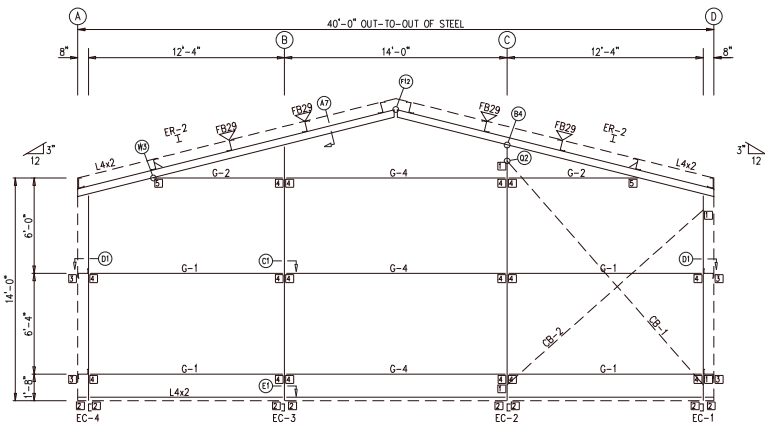


NOTE:
MINOR FIELD WORK OF STRUCTURAL, SECONDARY AND PANEL/TRIM ITEMS MAY BE NECESSARY TO ENSURE PROPER FIT. SUCH WORK IS CONSIDERED A NORMAL PART OF METAL BUILDING ERECTION. A.S.C. WILL NOT HONOR BACKCHARGES FOR MINOR FIELD WORK.

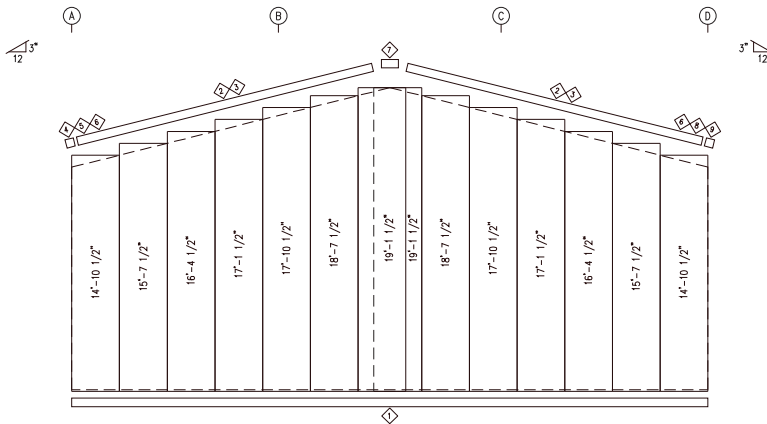
ISSUE	DESCRIPTION	DATE	DRN.	CHK.	DES.
P	PERMIT	09/06/19	CAF	PD	MZ



DESCRIPTION: ENDWALL FRAMING & SHEETING				
CUSTOMER: ANTON BARAR'YIN/LEGACY HOLDINGS COMPANY LLC				
END USER: ANTON BARAR'YIN				
SCALE: NOT TO SCALE				
DRW NO:	PKG NO:	MZ	DATE	SCALE
56185	7	MZ	09/28/19	p



RIGHT ENDWALL FRAMING: FRAME LINE 4



RIGHT ENDWALL SHEETING & TRIM: FRAME LINE 4

PANELS: 26 Ga. R-Loc - Gray 40 yr

TRIM TABLE				
FRAME LINE 4				
QID	QUAN	PART	LENGTH	DETAIL
1	2	BA204	20'-4"	TRIM_1
2	2	Q764102	10'-2"	TRIM_66
3	2	Q764122	12'-2"	TRIM_66
4	1	Q765L	6"	
5	1	AR963L	9 1/8"	
6	2	AR962	8 1/16"	TRIM_100
7	1	Q767	1'-4"	
8	1	Q765R	6"	
9	1	AR963R	9 1/8"	

BOLT TABLE				
FRAME LINE 4				
LOCATION	QUAN	TYPE	DIA	LENGTH
ER-2/ER-2	8	A325	5/8"	1 1/2"
Columns/Rof	4	A325	1/2"	1 1/4"

MEMBER TABLE				
FRAME LINE 4				
QUAN	MARK	PART	LENGTH	
1	EC-1	8X25C16	12'-7 5/8"	
1	EC-2	8X25C12	15'-8 5/8"	
1	EC-3	8X25C12	15'-8 5/8"	
1	EC-4	8X25C16	12'-7 5/8"	
2	ER-2	WBX10	20'-6 7/8"	
4	G-1	8X25Z16	11'-8"	
2	G-2	8X25Z16	6'-10 1/2"	
3	G-4	8X25Z16	13'-11"	
1	CB-1	CSI716	18'-11 1/4"	
1	CB-2	CSI716	16'-9 1/2"	

FLANGE BRACE TABLE			
FRAME LINE 4			
V/D	QUAN	MARK	LENGTH
1	4	FB29	2'-5"

CONNECTION PLATES			
FRAME LINE 4			
QID	QUAN	MARK	PART
1	4	BC-50	
2	8	BC-04	
3	4	BC-07	
4	16	BC-01	
5	2	BC2	



NOTE:
MINOR FIELD WORK OF STRUCTURAL, SECONDARY AND PANEL/TRIM ITEMS MAY BE NECESSARY TO ENSURE PROPER FIT. SUCH WORK IS CONSIDERED A NORMAL PART OF METAL BUILDING ERECTION. A.S.C. WILL NOT HONOR BACKCHARGES FOR MINOR FIELD WORK.

ISSUE	DESCRIPTION	DATE	DRN.	CHK.	DES.
P	PERMIT	09/06/19	CAF	PD	MZ



DESCRIPTION: ENDWALL FRAMING & SHEETING			
CUSTOMER: ANTON BARRAR/KIN/LEGACY HOLDINGS COMPANY LLC			
END USER: ANTON BARRAR/KIN			
SCALE: NOT TO SCALE			
REV	BY	DATE	DESCRIPTION
56185	MZ	09/28/19	
		8 OF 12	P